

IQ4080NF2 IQ Mixer

4.0 to 8.0 GHz operation



Features
Broadband Frequency Operation
Excellent Conversion Loss
High port-to-port isolation
Frequency Converter Applications

Maximum Ratings	
Operating Temperature	-55 to +125°C
Storage Temperature	-65 to +150°C
Peak I/P Power For Any Port	+23 dBm Peak
Peak I/P Power For All Ports	+26 dBm Peak
Peak I/P Current @ +25°C	100mA

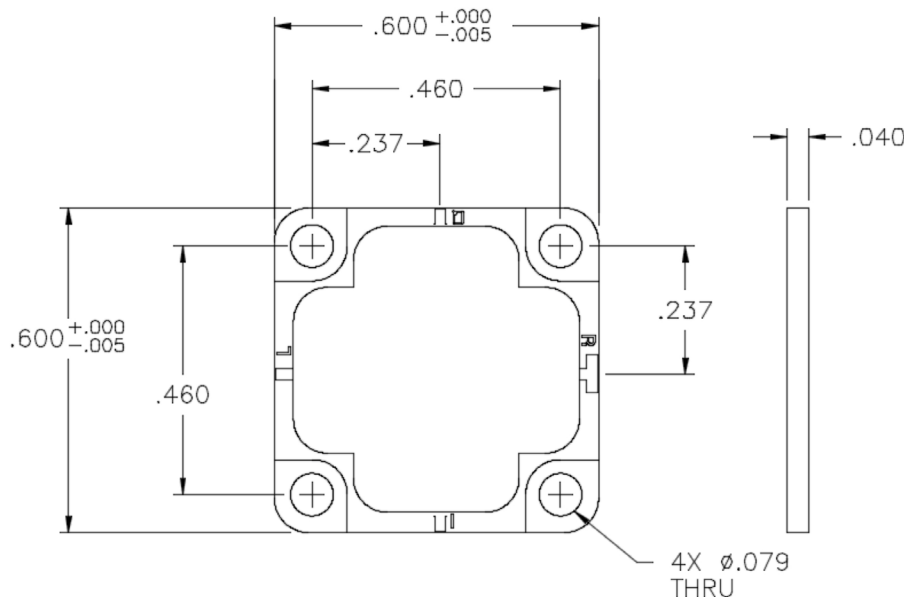
Product Export Classification
ECCN: EAR 99 (unless otherwise specified)
HTS: 8541.10.0000

Parameters	Freq. (GHz)	Minimum (dB)	Typical (dB)	Maximum (dB)	Units	Conditions
Conversion Loss						
RF Input	4.0 to 8.0		5.5	7.5	dB	
LO Input	4.0 to 8.0					
IF Output	DC-0.5					
VSWR	LO&IF RF			2.5:1		
Isolation						
L-R Isolation		25.0	30.0		dB	
L-IQ Isolation		22.0	28.0		dB	
RF-I/Q			30.0		dB	
Spurious (In-band) 4IF						
Input IP3						
1dB Compression Point						
LO Drive			+4.0	+16.0	dBm	
Image Rejection		19.0	28.0		dB	
Amplitude Match			0.15		dB	
Phase Match			3.0		°	

NOTES:

1. Typical values are measured at +25°C and are not guaranteed.

Package Outline: F2



DISCLAIMER: Subject to change without notice. Rev(-) 09/5/19